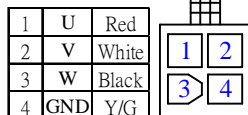
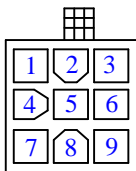


Model: JSMA-PBC08ABK

No.	Item	Symbol	Unit	Specification	No.	Item	Symbol	Unit	Specification
1	Drive	-	-	3 φ 220 VAC	13	Rotor Inertia	Jm	kg·cm ²	1.51 ±10%
2	Cooling Method	-	-	Totally Enclosed	14	Rated Power Rate	Q-R	Kw/s	37.73
3	Exciting Method	-	-	Permanent Magnet	15	Resistance	Ra	Ω	1.48±10%/2 φ
4	Resolution	-	-	2500 C/T	16	Inductance	L	mH	10.1±10% / 2 φ
5	Rated Output	P-R	W	750	17	Mech. Time Constant	Tm	ms	0.97
6	Rated Torque	T-R	N·m	2.39	18	Elect. Time Constant	Te	ms	6.82±10%
7	Max. Torque	T-max	N·m	7.16	19	Insulation Class	-	-	Class F
8	Rated Speed	N-R	rpm	3000	20	Operation Temp.	T	°C	0~40
9	Rated Current	I-R	A	4.3	21	Operation Humd.	RH	%	<80
10	Max. Current	I-max	A	14	22	Storage Temp.	T	°C	-20°~60°
11	Torque Constant	Kt	N·m/A	0.56	23	Storage Humd.	RH	%	<80
12	Voltage Constant	Ke	V/k rpm	37.3±10%	24	Weight	W	kgw	2.7

1	+5V	Red
2	0V	Black
3	A/U	Blue
4	A/U	Blue/Black
5	B/V	Green
6	B/V	Green/Black
7	Z/W	Yellow
8	Z/W	Yellow/Black
9	FG	Shield



Encoder Connection

Motor Connection

Note:

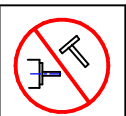
1. Motor to be IP67(excluding the shaft opening & connectors)

PIN:AMP 770835-1

HOUSING:AMP 172169-1

PIN:AMP 170360-1

HOUSING:AMP 172167-1



Do not Hammer!

Name Plate for Notice

AC SERVO MOTOR

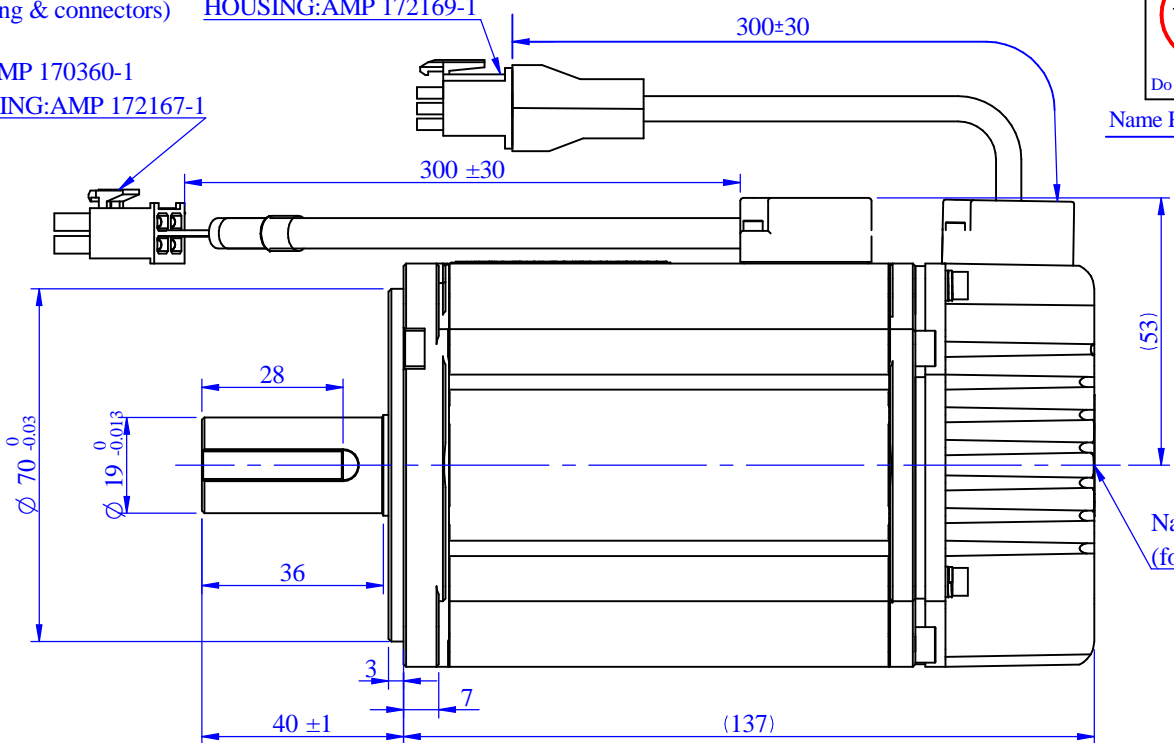
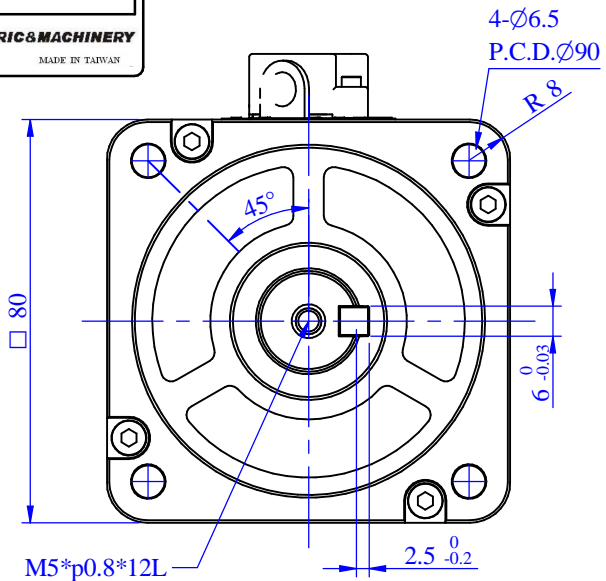
Model: JSMA-PBC08ABK

Pr: 0.75 KW ; Nr: 3000 rpm

Ir: 4.3 A , Tr: 2.39 N·m

NO.

TECO ELECTRIC & MACHINERY CO., LTD.
MADE IN TAIWAN



STANDARD TOLERANCE

X	±0.5
.X	±0.2
.XX	±0.05
ANGLE	±30'

APVD	
CHKD	
CHKD	
DWN	Leon
DATE	04-06-'16

SCALE	2/3	UNIT	mm	NAME	Servo Motor Outline Drawing
	3RD .A.P			TITLE	JSMA-PBC08ABK

TECO ELECTRO DEVICES CO., LTD. Dept. Design

DWG.NO. D01E08751C3NT3D01

MATERIAL	REV	DESCRIPTION	SIGNATURE	DATE
----------	-----	-------------	-----------	------